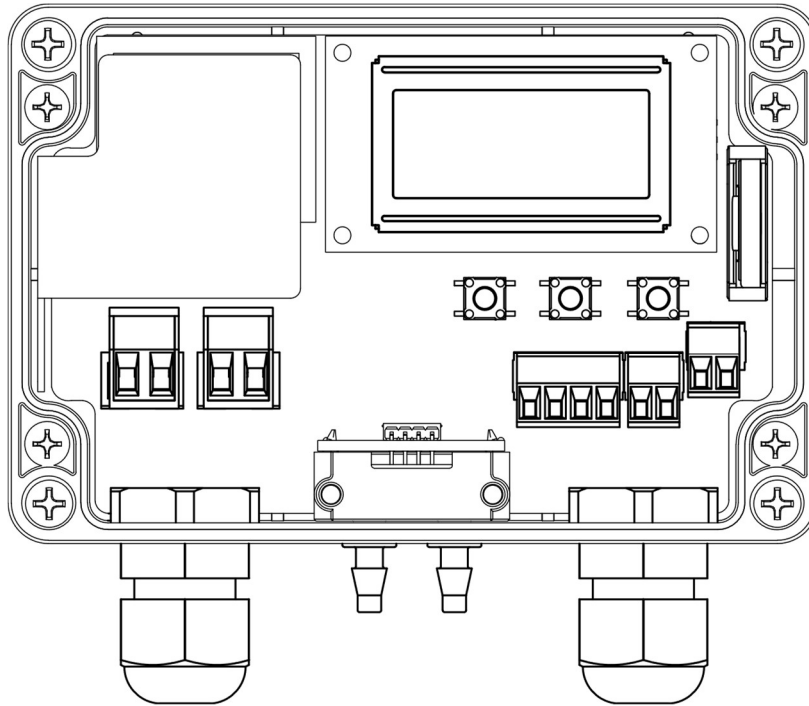


# TECHNICAL REFERENCE - INSTRUCTIONS

v1.0



## Air Pressure and Volume Controller

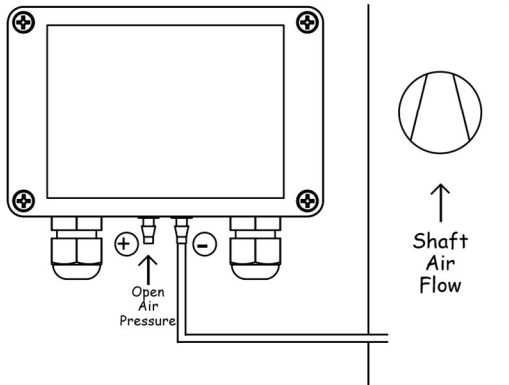
**DR-FPC**

**DR-FP1P10.R**

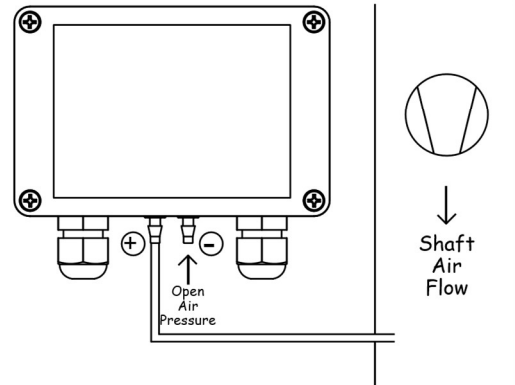
## Application Overview

### Shaft Pressure Control

Bath and Toilet shaft pressure control

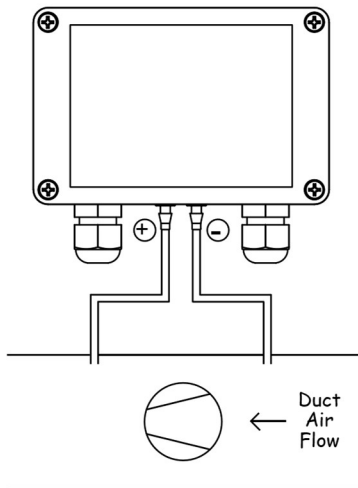


Fire Escape Stairs and Elevator shaft pressure control

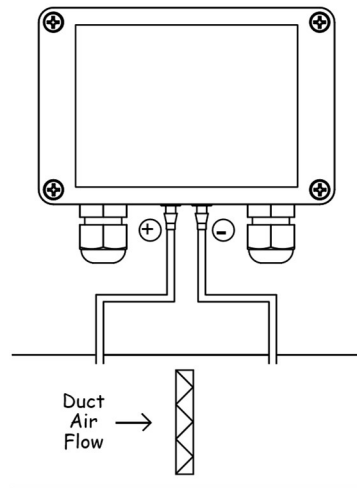


### Duct Pressure and Volume Control

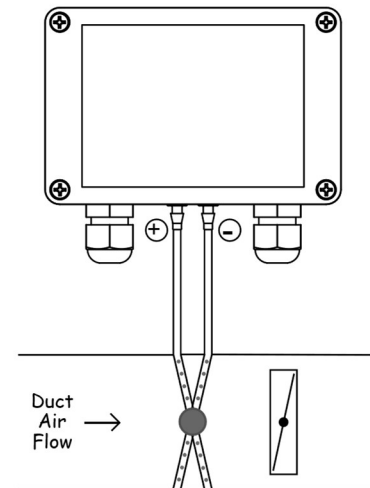
Constant pressure and flow control in fan applications.



Filter pollution control



Damper volume control for VAV applications.



# QBIT

QUANTUM CONTROL

Üniversite Mah. Sarıgül Sk.  
No:37/1 İç Kapı No:85  
Avcılar/İSTANBUL  
T : +90 212 691 61 31  
M: +90 537 376 94 41  
E : [qbit@qbitcontrol.com](mailto:qbit@qbitcontrol.com)  
W: qbitcontrol.com